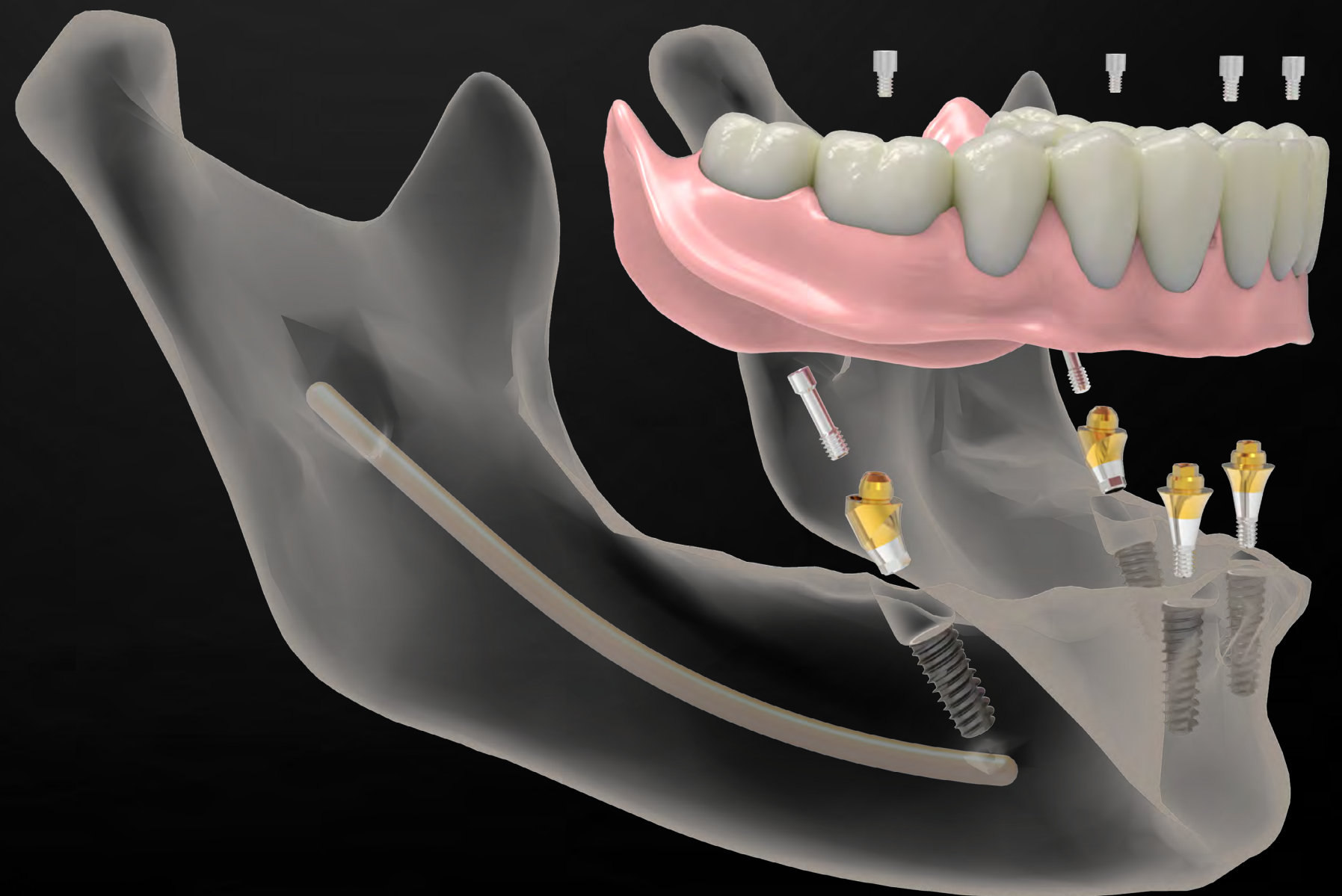


DENTIS Multi-Unit Abutment

www.dentisimplant.co.kr



 **DENTIS**



Tel. +82-1899-2804 | Fax. +82-53-583-2806
99, Seongseoseo-Ro, Dalseo-Gu, Daegu, Korea



Tel. +1-323-677-4363 | Fax. +1-323-677-4366
11095 Knott Ave. ABC, Cypress CA 90630



Tel. +021-5111-3828 | Fax. +021-5111-3828
上海市长宁区中山西路933号2205室



Tel. +34 91 072 62 27 | <https://dentiseurope.com/>
Travesía C. Doctor Fleming, 16

©2023 DENTIS Co.,Ltd.
All Right Reserved.
Specifications are subject to change without notice.
Trademarks are the property of DENTIS Co., Ltd. Or their respective owners.

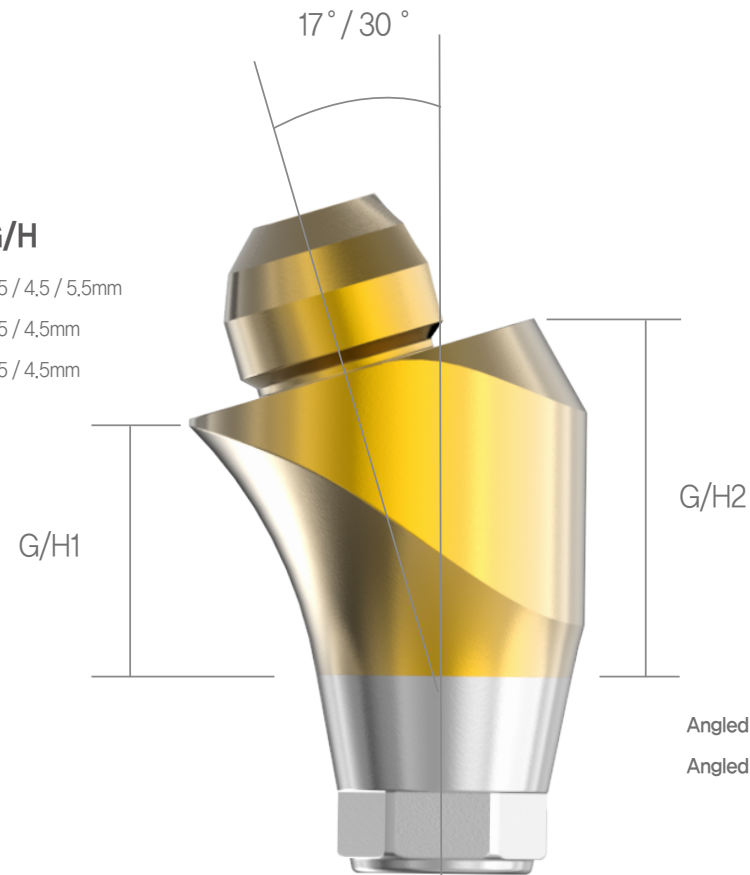
D-C-MUA-V3-202307-ENG

Multi-Unit Abutment



Wide range of G/H

- Straight 1.5 / 2.5 / 3.5 / 4.5 / 5.5mm
- Angled 17° 1.5 / 2.5 / 3.5 / 4.5mm
- Angled 30° 1.5 / 2.5 / 3.5 / 4.5mm



- Angled 17° 3 / 4 / 5 / 6mm
- Angled 30° 4 / 5 / 6 / 7mm

Connection
Narrow, Mini, Regular

Composition of Scanbody and Digital Lab Analog

- Digital Work-Flow is available
- Exclusive Library (3shape / Exocad)



Scanbody



MU Digital Lab Analog

Prosthetic Flow Diagrams for MU Abutment System

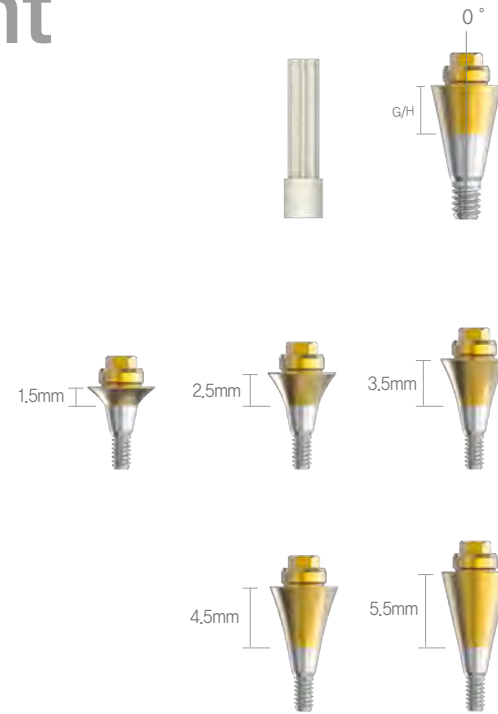
Description	Flow	Tool
Screw	Cylinder Screw	1.25 Hex Driver
Cylinder	CCM, Temporary	
Lab Analog		
Impression Coping & Scanbody	Transfer, Pick-up, Scanbody	1.25 Hex Driver
Mu Healing Cap		1.25 Hex Driver
Abutment	Straight, Angled	Straight driver, 1.25 Hex Driver
	Cover Screw, Healing Abutment	1.25 Hex Driver
SQ Fixture	SQ Ø3.5~4.0, SQ Ø4.5~8.0	No-Mount Driver, Ratchet Driver

Multi-Unit Abutment Line-Up

MU Straight Abutment Recommended Torque: 30Ncm

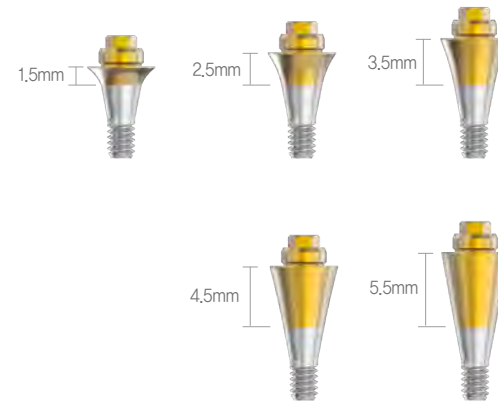
Narrow

Diameter	Hex Size	Cuff	Code No.
Ø4.8	Sole Type	1.5	DSMUSN15S
		2.5	DSMUSN25S
		3.5	DSMUSN35S
		4.5	DSMUSN45S
		5.5	DSMUSN55S



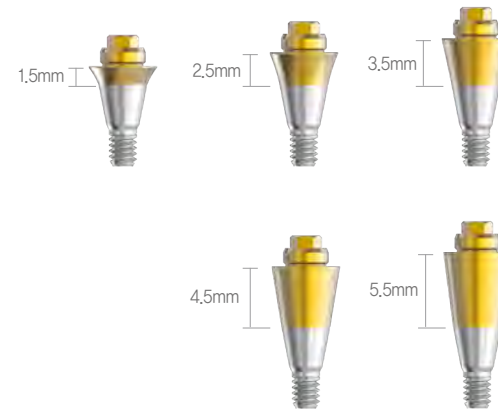
Mini

Diameter	Hex Size	Cuff	Code No.
Ø4.8	Sole Type	1.5	DSMUSM15S
		2.5	DSMUSM25S
		3.5	DSMUSM35S
		4.5	DSMUSM45S
		5.5	DSMUSM55S



Regular

Diameter	Hex Size	Cuff	Code No.
Ø4.8	Sole Type	1.5	DSMUS15S
		2.5	DSMUS25S
		3.5	DSMUS35S
		4.5	DSMUS45S
		5.5	DSMUS55S



s-Clean MU Angled Abutment

Narrow Recommended Torque: 20Ncm

Diameter	Hex Size	Angled	G/H1	G/H2	Code No.
Ø4.8	1.7 Double Hex	17	1.5	3	DSMUAN1715S
			2.5	4	DSMUAN1725S
			3.5	5	DSMUAN1735S
			4.5	6	DSMUAN1745S
		30	1.5	4	DSMUAN3015S
			2.5	5	DSMUAN3025S
			3.5	6	DSMUAN3035S
			4.5	7	DSMUAN3045S

Screw Code : DSMUASN

Mini Recommended Torque: 20Ncm

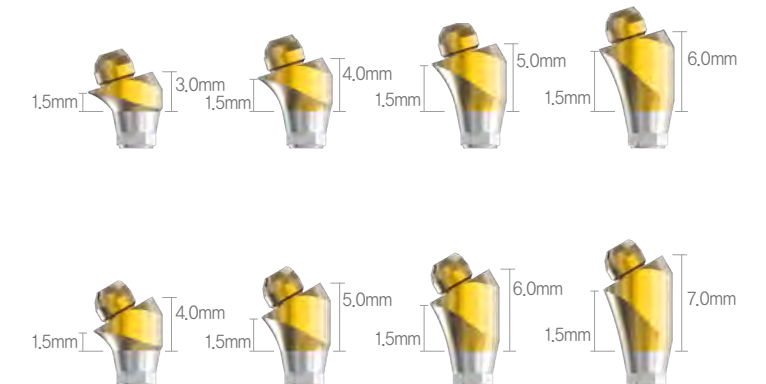
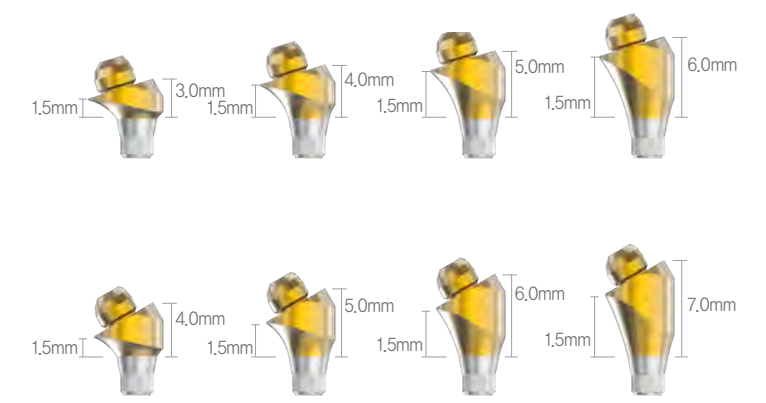
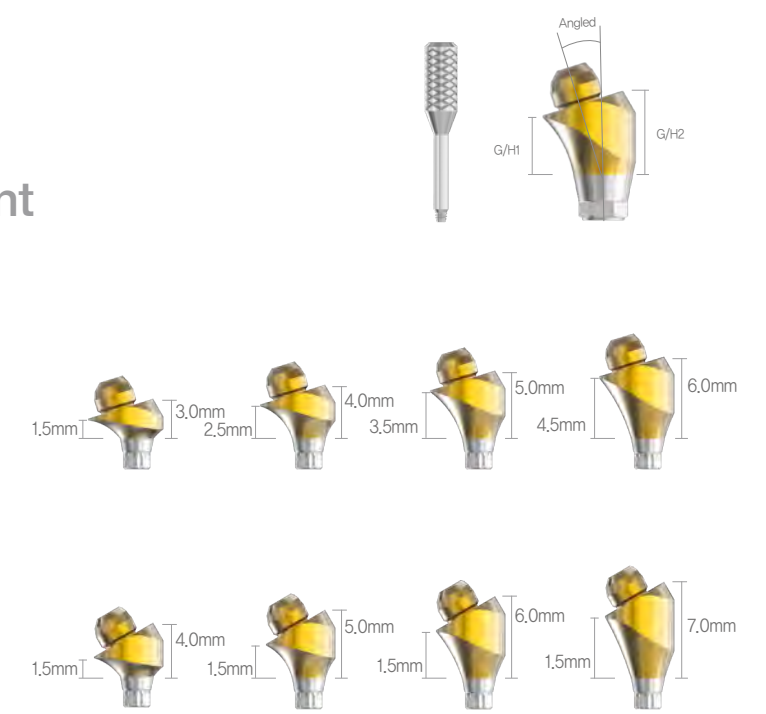
Diameter	Hex Size	Angled	G/H1	G/H2	Code No.
Ø4.8	Hex 2.1	17	1.5	3	DSMUAM1715S
			2.5	4	DSMUAM1725S
			3.5	5	DSMUAM1735S
			4.5	6	DSMUAM1745S
		30	1.5	4	DSMUAM3015S
			2.5	5	DSMUAM3025S
			3.5	6	DSMUAM3035S
			4.5	7	DSMUAM3045S

Screw Code : DSMUASM

Regular Recommended Torque: 30Ncm

Diameter	Hex Size	Angled	G/H1	G/H2	Code No.
Ø4.8	Hex 2.5	17	1.5	3	DSMUA1715S
			2.5	4	DSMUA1725S
			3.5	5	DSMUA1735S
			4.5	6	DSMUA1745S
		30	1.5	4	DSMUA3015S
			2.5	5	DSMUA3025S
			3.5	6	DSMUA3035S
			4.5	7	DSMUA3045S

Screw Code : DSMUAS

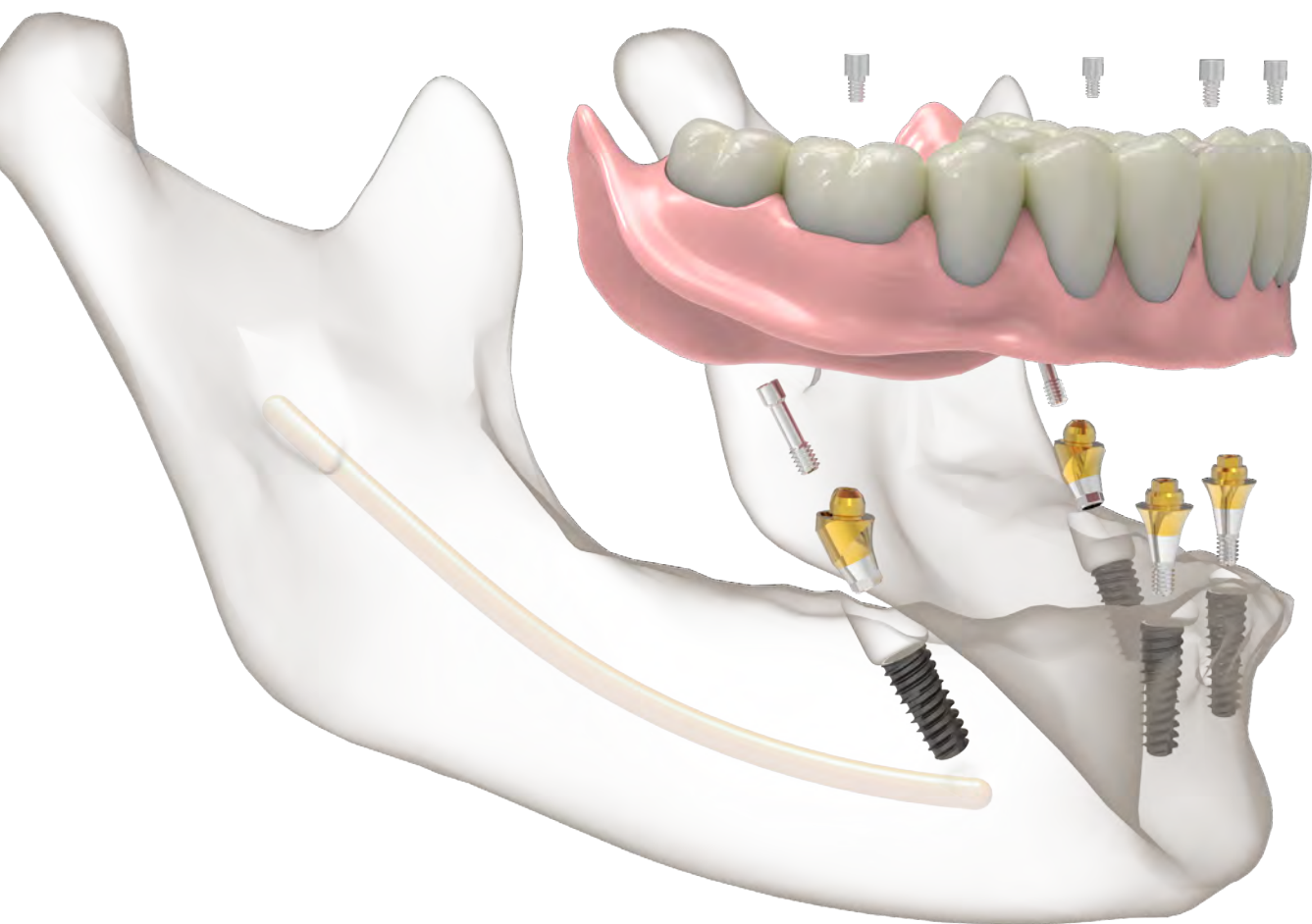


Multi-Unit Abutment

DENTIS Multi Unit Abutment is designed for fixed and screw-retained restoration of partially and completely edentulous arches, including the All-on-4 treatment. The system consists of straight and angled (17° and 30°) abutments with a diverse choice of gingiva heights to match the thickness of the soft tissue and depth of implant placement.

By placing four fixtures in the patient's mouth, a hybrid denture which is the most similar oral condition with natural teeth. The most cost-effective treatment is available with Multi Unit Abutments.

In general, two of the MU straight abutments for anterior and two of the MU angled type abutments for posterior positions are connected.



Features

- All-On-4 treatment is possible with MU straight and angled type abutments.
- As for All-On-4 concept, two fixtures are placed at an angle in the posterior and disperse vertical load. The other two fixtures are placed in the anterior area and retains a hybrid denture.
- The scanbody makes the digital work-flow possible.
- It's compatible with Nobel Biocare Multi-Unit System.

MU Straight Abutment Driver

Code No.

DSMUSD

※ For fixing MU Straight Abutment



Impression Coping

Code No.

MU Transfer Coping

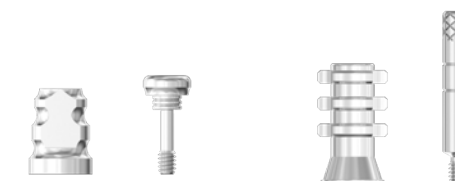
DSMUTICSS

MU Pick-up Coping

DSMUPICSS

Transfer Screw : DSMUTICS

Pick-up Screw : DSMUPICS



Cylinder

Code No.

MU CCM Cylinder

DSMUCCS

MU Temporary Cylinder

DSMUTCS

MU Cylinder Screw : DSMUCS



MU Scanbody

Code No.
*DSMUSBSS
*DSMUSBLS

MU Scanbody Screw : DSMUSS



MU Healing Cap

Code No.
DSMUHC
DSMUHC58
DSMUHC68



MU Digital Lab Analog

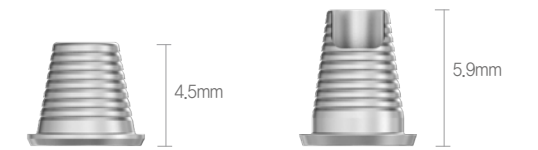
	Code No.
MU Digital Lab Analog	DSMUSDL



MU Ti Base

Code No.
DSMUTBSS
DSMUTBLS

MU Cylinder Screw : DSMUCS



Note



Note

